

## AKH-0.66 Z-3×Φ35 电流互感器规格书

### AKH-0.66/Z integrated current transformer

#### 1. 产品特点 Product feature

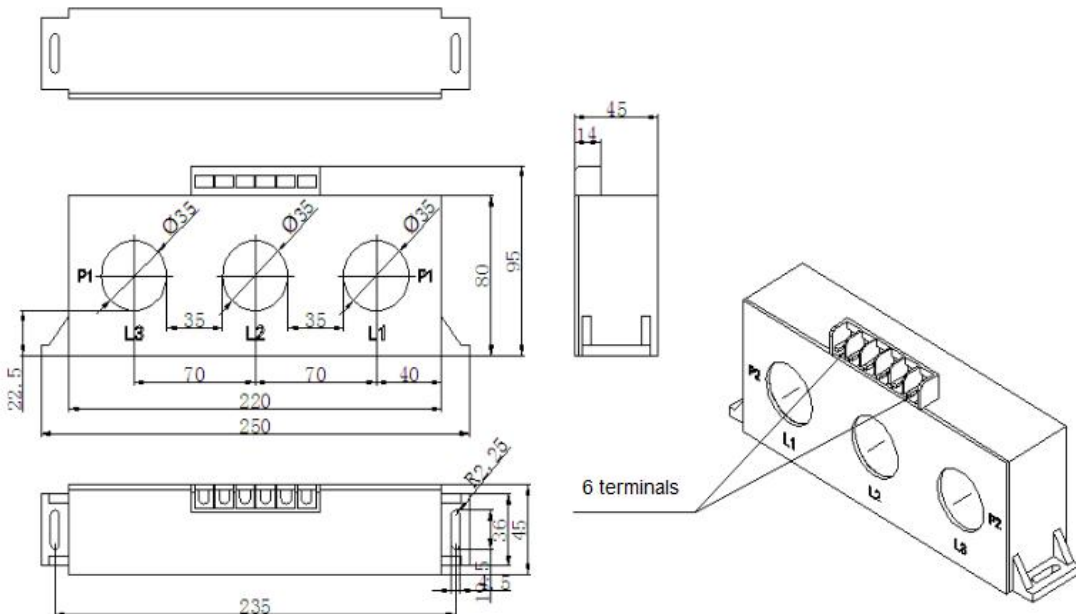
产品外形美观，接线方便。外壳材料选用阻燃 PC/ABS 合金，作为交流电流信号采集元件，一般与 AMC16、PZ-300 配套使用，可减小电流互感器安装空间和接线的烦琐，为用户降低成本。

Combined current transformer is also called the three-phase current transformer. As current signal acquisition device, it is generally matched with multi-loop current monitoring device (AMC16), PZ300, moulded case circuit breaker and other products. It can save installation space, reduce the cumbersome wiring, be convenient to use and effectively reduce the cost.

#### 2. 型号说明



#### 3. 规格尺寸 Spec. and size (公差 Tolerance: ±1mm)



注：本产品有 6 个接线端子，其中 1S1、1S2 为 L1 的接线端子，其中 2S1、2S2 为 L2 的接线端子，其中 3S1、3S2 为 L3 的接线端子。

Note: This product has 6 terminals, 1S1、1S2 are L1 terminals, 2S1、2S2 are L2 terminals, 3S1、3S2 are L3 terminals.

#### 4. 规格参数 parameter



Specification	ratio (A)	Precision degree and corresponding rated load (VA)			Straight-through turns	Max. cable outer diameter (mm)	Installation
		0.2 级	0.5 级	1 级			
Z-3×Φ35	(100-150) A/5 (1) A			2.5	1	Φ35	Fixed by base plate screw
	200A/5 (1) A		1.5		1		
	250A/5 (1) A		3.75		1		
	(300-450) A/5 (1) A		5		1		
	(500-800) A/5 (1) A		10		1		
	(1000-1250) A/5 (1) A	10			1		